



VICTORIA PLUS SILENT VS

EXCELLENCE IN
VARIABLE SPEED

ASTRALPOOL PUMPS. EXCELLENCE AT THE HEART OF THE POOL.



VICTORIA PLUS SILENT VS

The Victoria Plus Silent Variable Speed pump represents our ultimate goal, to bring excellence to the heart of the pool. Its energy savings, high-quality filtration, very low noise and ease to use make it the most sustainable, comfortable and optimized solution for your pool.

EXCELLENCE IN ENERGY SAVINGS

Victoria Plus Silent VS comes with **3 pre-set adjustable speeds** for filtration, it enables **great energy savings** as the decrease of the motor speed allows to reduce electrical consumption to up to 85%.⁽¹⁾ With its **intuitive weekly timer settings**, the speed of the pump will be able to match any pool needs. Tracking of the power consumption and savings is easier thanks to the **built-in HMI controller**.



⁽¹⁾ Compared to an AstralPool Victoria Plus Silent single speed pump.

Want to know your savings? For an specific savings analysis please use the following link

QR pendiente

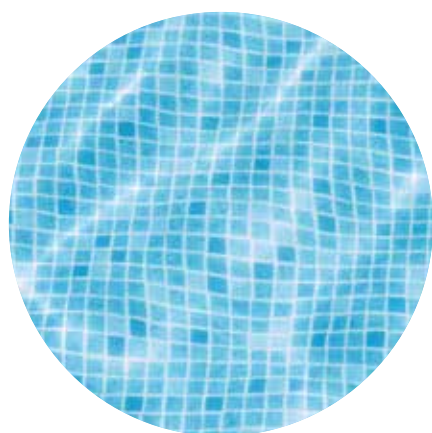


HIGH COMFORT

With the Victoria Plus Silent VS pump, bathers experience a greater sense of well-being due to its **reduced noise level** ⁽²⁾.

Compatible with the Fluidra Connect platform, the pump can be **remotely programmed and easily controlled** with a smartphone or tablet.

Its built-in HMI controller can be mounted on the wall for better usability.



OPTIMIZED FILTRATION QUALITY

Thanks to a lower water speed, the filtration can be done more efficiently delivering crystal-clear water in the pool, reaching a **higher transparency** than using a single speed pump.

⁽²⁾ Reduction up to more than 15dB when running at low speed compared to an AstralPool single speed pump.

Victoria Plus Silent VS has been **designed and produced in Europe** with high-quality components to be a **long-lasting and reliable pump**. Victoria Plus Silent VS is suitable to be installed in small and large pools, both for new builds and as an efficient replacement for single speed pumps.

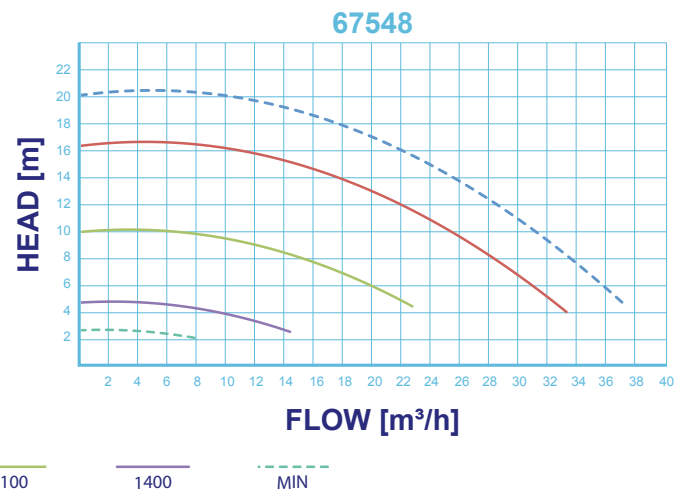
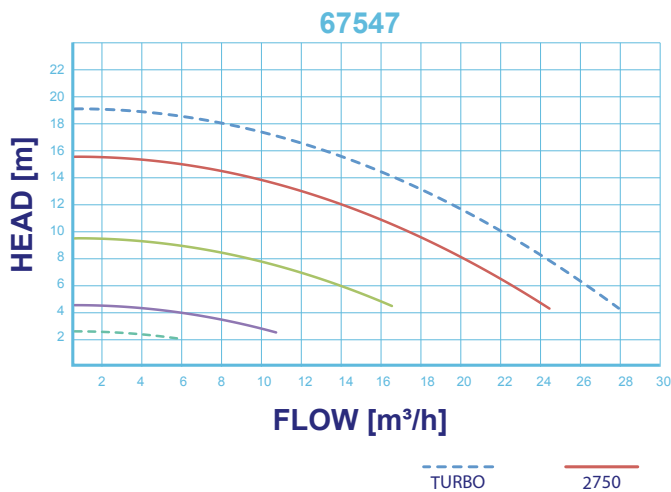
* 3 years warranty + 1 years if the product installation is registered. Check the conditions for warranty extension



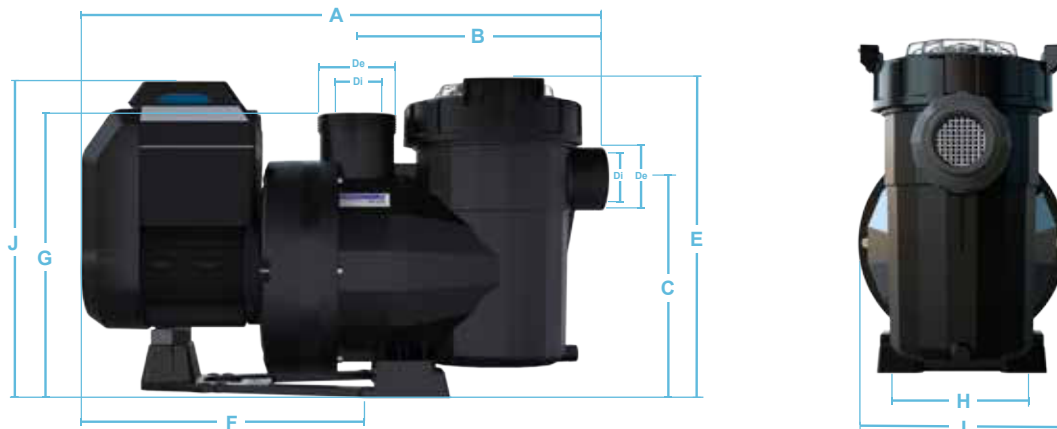


	67547			67548		
	LOW	MEDIUM	HIGH	LOW	MEDIUM	HIGH
SPEED [rpm]	1400	2100	2750	1400	2100	2750
VOLTAGE [V]	220-240	220-240	220-240	220-240	220-240	220-240
FREQUENCY [Hz]	50/60	50/60	50/60	50/60	50/60	50/60
POWER [W]	170	470	1030	258	750	1560
CURRENT [A]	1,0	2,2	4,5	1,4	3,4	7,1
FLOW RATE [m ³ /h]	8,2	12,4	16,7	11,1	18,8	25,5
HEAD [m]	2,7	6,1	10	3,2	6,2	10
EFFICIENCY [l/Wh]	48	26	16	43	25	16
TOTAL HEAD [m]	4	9	15,5	4	9,4	16,3
NOISE [dB]	45	53	61	51	58	66

PERFORMANCE



DIMENSIONS



CODE	A	B	C	De	Di	E	F	G	H	I	J
67547	584	281	246	ACMED.75	2" Gas	359	324	321	164	254	354
67548	618	281	246	ACMED.75	2" Gas	359	358	321	164	254	354