

Springboard PRÁCTIC

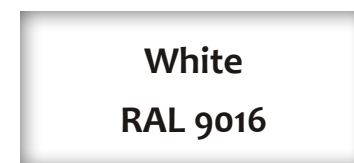
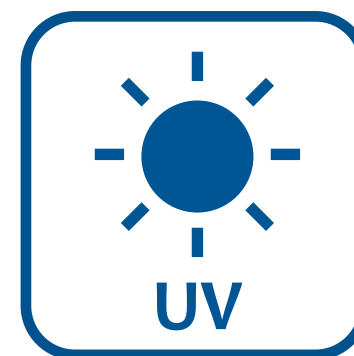
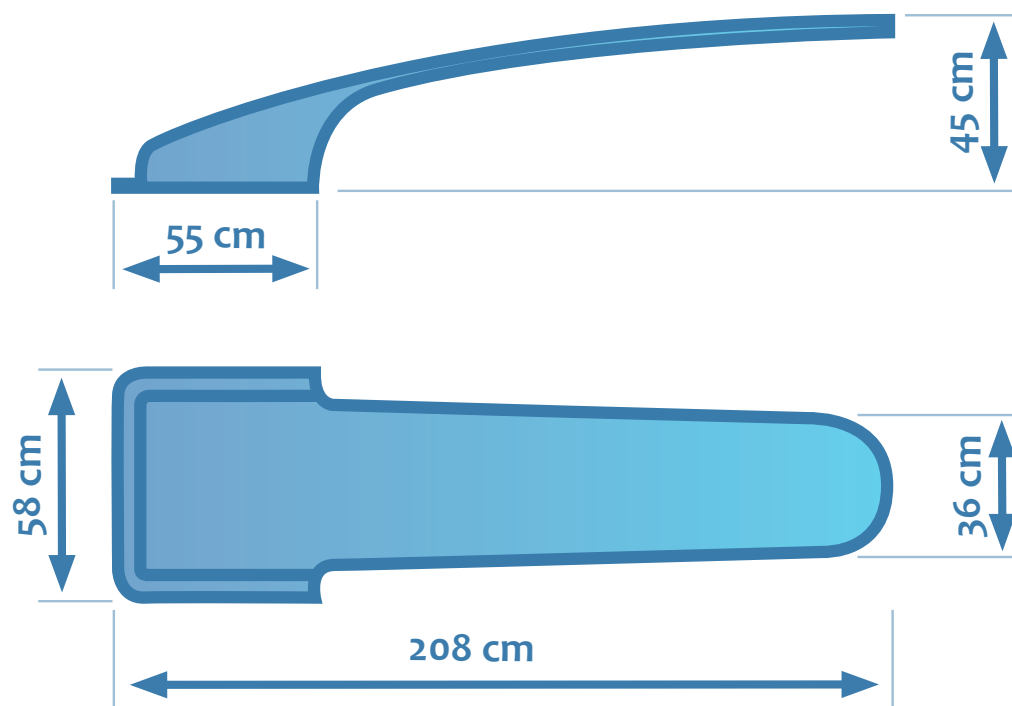


Springboard made of polyester and fiberglass, with non-slip engraving on the surface.

High resistance to wear, humidity and UV rays.

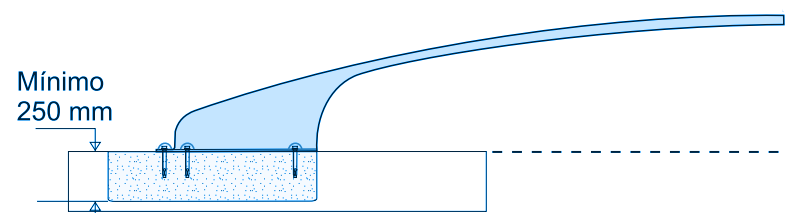
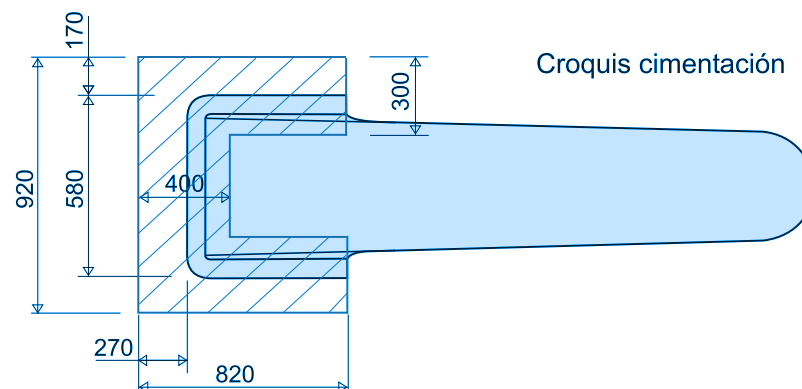
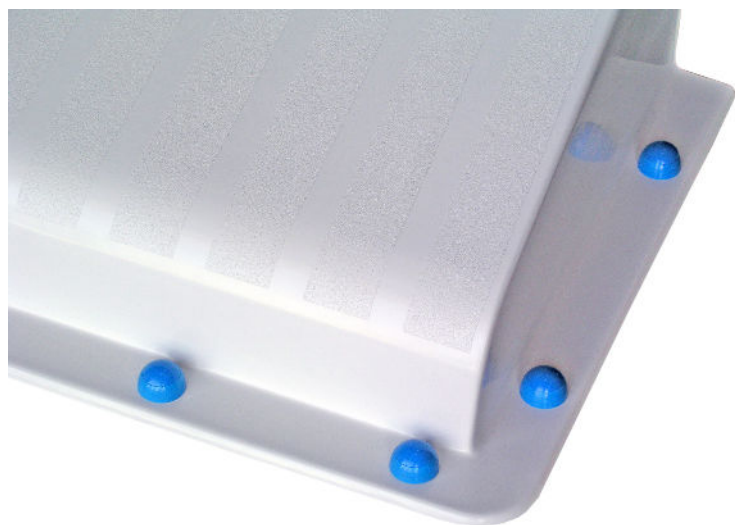
For use in private pools. Supplied with anchors.

Recommended minimum age: 5 years

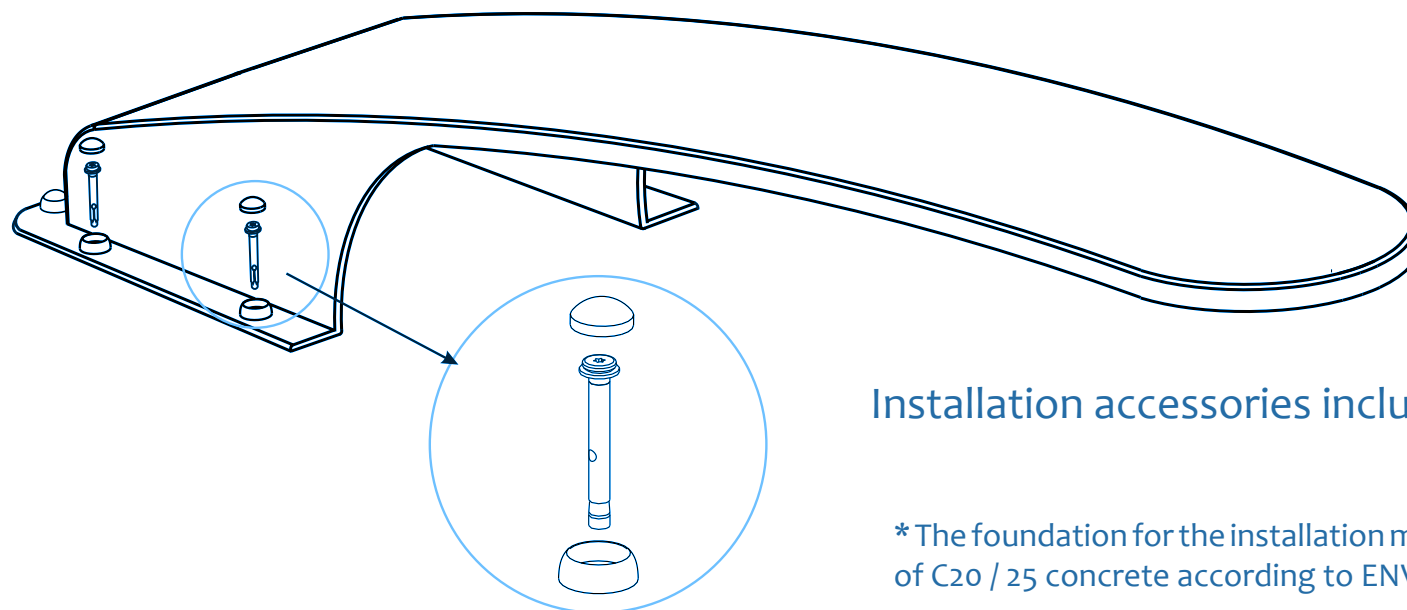


Springboard PRÁCTIC

Foundation & installation



Minimum recommended pool depth in the installation area 1,5 m. *



Installation accessories included.

* The foundation for the installation must at least comply with the characteristics of C20 / 25 concrete according to ENV206.